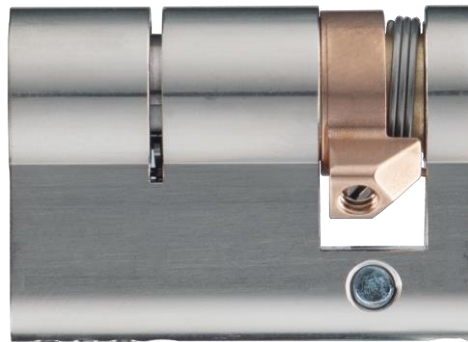


Product Information

CX6711 with Spring Reset



CX6711 with Spring Reset



Product Information



Table of contents

- 1 CX6711 with Spring Reset 3**
- 2 Variants 4**
 - 2.1 Spring reset left hand rotation 4
 - 2.2 Spring reset right hand rotation 4
 - 2.3 Spring reset left hand rotation with chamfered closing lug 5
 - 2.4 Spring reset right hand rotation with chamfered closing lug 5
- 3 Positions of the closing lug setting..... 6**
- 4 Changing the closing lug setting 7**

Product Information

CX6711 with Spring Reset



1 CX6711 with Spring Reset

The Clex half cylinder housing with spring reset is a mechanical half cylinder housing ready to accept electronic knobs of Clex prime and Clex private systems.

By simply plugging and re-plugging the knob, it is possible to assemble various products. The following knob models can be combined with the CX6711 with spring reset.

- CX6120
- CX6120 (IP66)

The Clex cylinder casing CX6711 with spring reset is suitable for the assembly in profile cylinder locks, distributors and server cabinets.

Item numbers for CX6711 with spring reset.

Name	Item number
Version with spring reset left hand rotation	6711 1...
Version with spring reset right hand rotation	6711 2...
Chamfered closing lug (only in connection with the spring reset)	67111..
Rotated for plug pulling protection (5 mm on side A)	67111

Product Information

CX6711 with Spring Reset



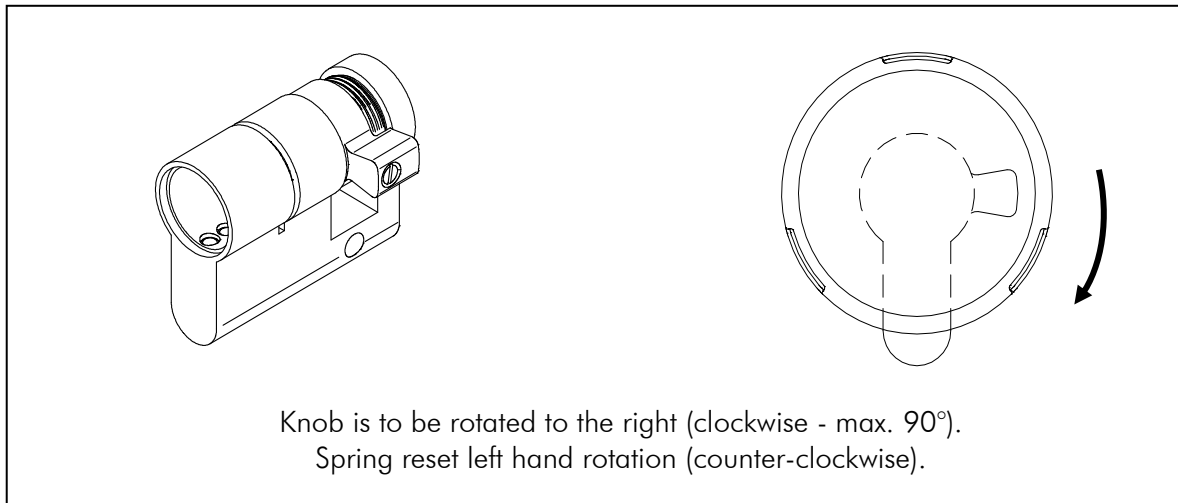
2 Variants



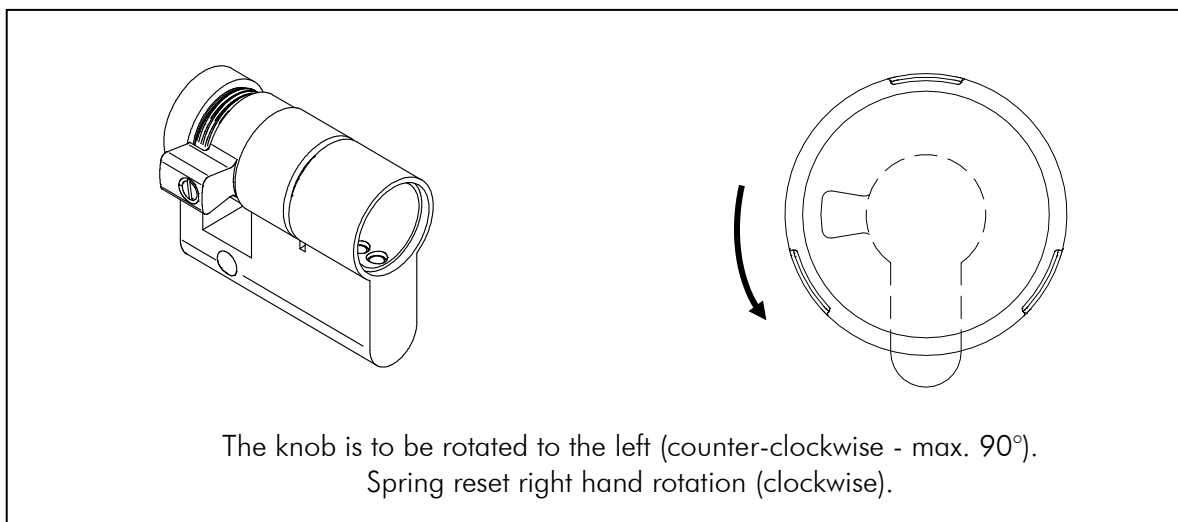
The original condition of the half cylinder casing with spring reset is as shown in the figures below.

The CX6711 with spring reset can be supplied in the following versions:

2.1 Spring reset left hand rotation



2.2 Spring reset right hand rotation

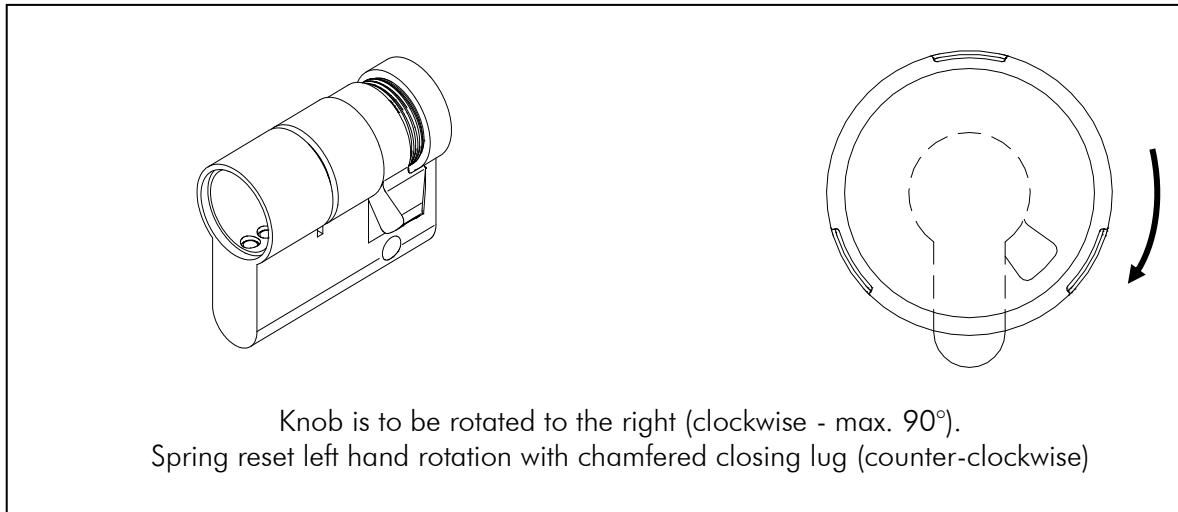


Product Information

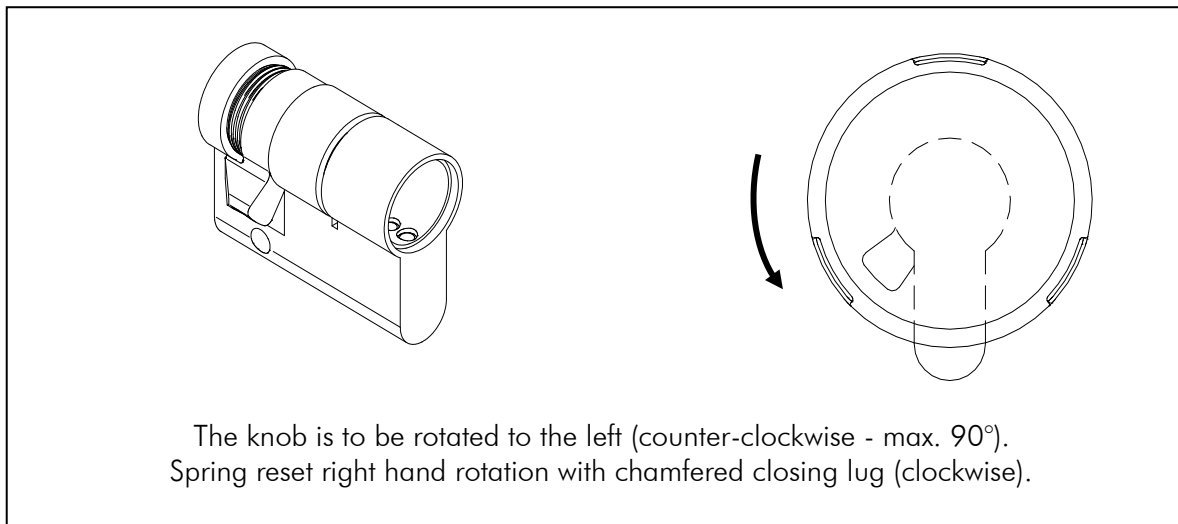
CX6711 with Spring Reset



2.3 Spring reset left hand rotation with chamfered closing lug



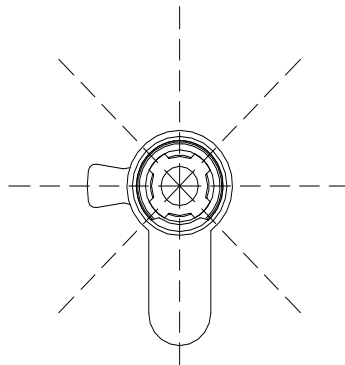
2.4 Spring reset right hand rotation with chamfered closing lug





3 Positions of the closing lug setting

The closing lug can always be reset in the following directions (valid for right and left rotating - also with chamfered closing lug):





4 Changing the closing lug setting

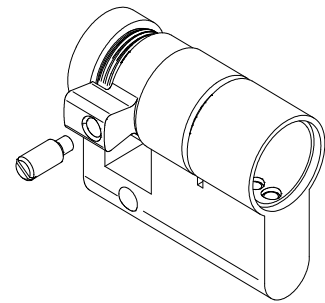
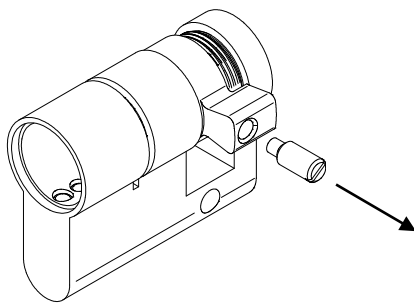


Caution:

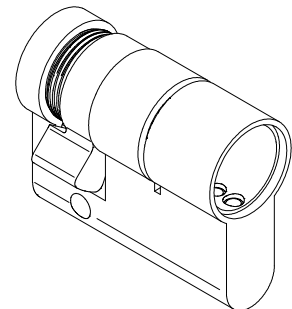
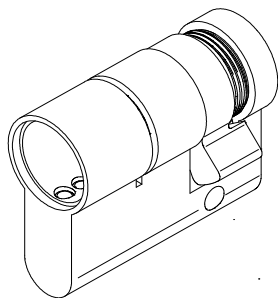
“Spring reset left hand rotation” cannot be changed on site to “Spring reset right rotation”, and vice versa.

Spring reset left hand rotation
(also valid for chamfered closing lug)

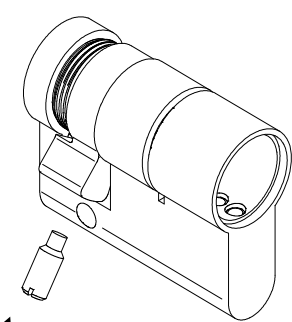
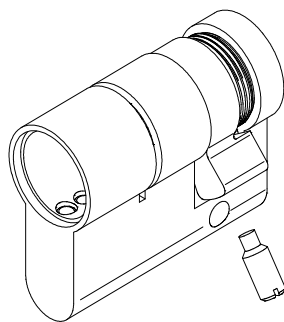
Spring reset left hand rotation
(also valid for chamfered closing lug)



1. Loosen screws of the closing lug.



2. Bring the closing lug in the desired position.



3. Tighten the screw again in the closing lug.